



AR & EM

S E R I E S

The AR and EM series are functional modern-style fixture, cut-off with convex lens or full cut-off with flat lens for dark sky compliance.

ARCHITECTURAL 



The housing is fabricated of .080" minimum extruded aluminum. The arms are .188" wall thickness extruded aluminum, bolted to the housing and welded to the pole fitter.

The lamp is horizontally mounted, properly positioned to provide the appropriate IES light pattern.

The reflector is constructed of segmented specular aluminum available on Type 1, 2, 3, FT and 5 light distributions.

All electrical components are UL listed with electromagnetic high power factor ballast for HID lamps in voltages of 120 to 480 or an electronic ballast for compact fluorescent lamp in 120 or 277 volts. Ballasts are mounted on a removable tray for easy maintenance.



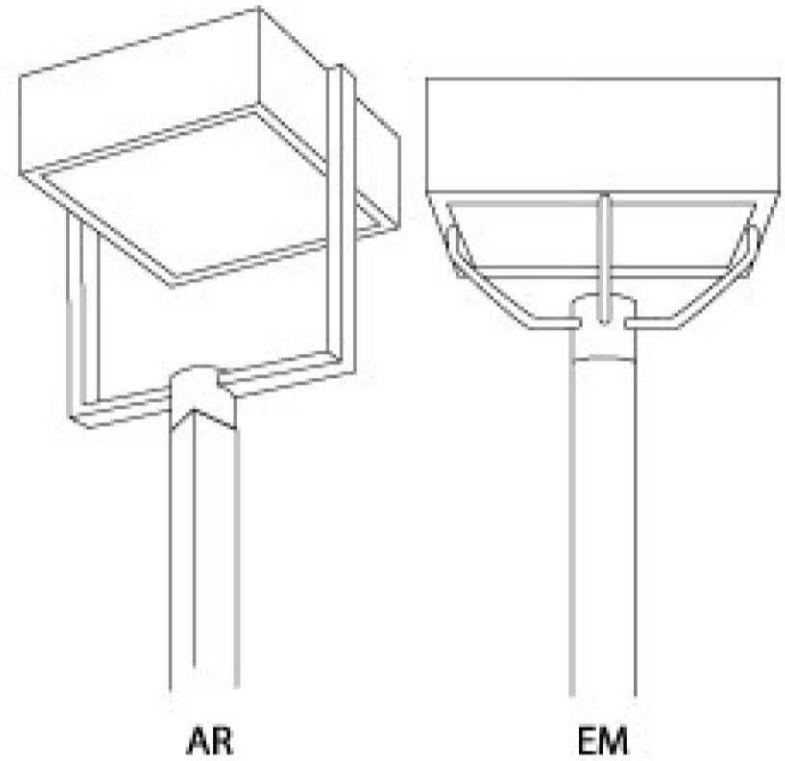
UL LISTED FOR WET LOCATION

A & M Sculptured Lighting

1781 N. Indiana Street Los Angeles, CA, 90063
 Tel. (323)263-2221 Fax. (323)263-2226

AR, EM
 SERIES

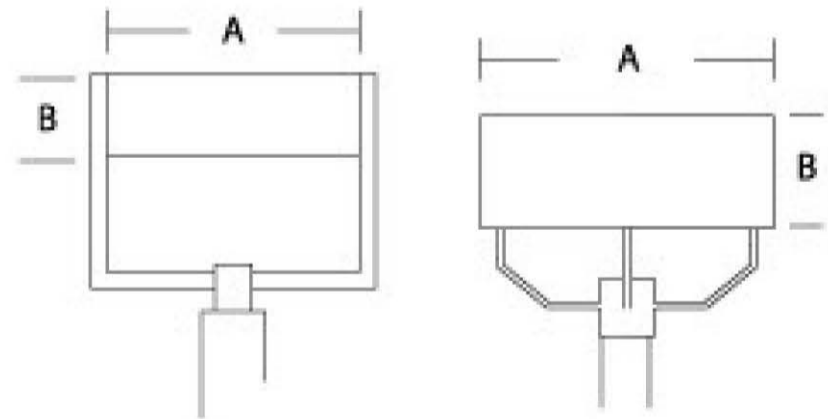
- Housing:** Heavy gauge die formed welded aluminum internally sealed for weather proofing. Closed cell neoprene foam gasket is applied between lens frame and housing.
- Lens:** Flat tempered glass or convex tempered glass. Sealed into cast aluminum frame.
- Electrical:** All electrical components are UL approved.
- Ballast:** High power factor - 20°C starting temperature. The ballast is removable as a unit for easy maintenance.
- Reflector:** Segmented specular Alzak, available on type 1, 2, 3, FT and 5 light distribution.
- Arms:** Extruded aluminum.
- Finish:** Polyester powder fuse coating is standard; other finishes are available upon request.



Ordering Information:

1. Model Number
2. Wattage
3. Lamp Type
 - H - Metal Halide
 - S - High Pressure Sodium
 - PS - Pulse Start
4. Voltage
 - 120, 208, 240, 277, 480 and
 - MT (Multi Tap) - 120, 208, 240, 277
5. Light Distribution
 - 1, 2, 3, FT and 5
6. Lens
 - FG - Flat Glass
 - CG - Convex Glass
7. Finish
 - BK - Black
 - BZ - Bronze
 - GR - Green
 - VG - Verde Green
 - (Other colors upon request)
8. Options
 - HS - House Shield
 - FS - Fuse
 - PC - Photo Cell

MOD#	MOD#	WATTAGE	A	B	EPA
ARA	EMA	175 MAX	16" sq.	6"	.97
ARB	EMB	400 MAX	19" sq.	6"	1.1
ARC	EMC	1000	26" sq.	10"	2.1



Lenses



1. Mod. #	2. Wattage 3. Lamp Type	4. Voltage	5. Light Dist.	6. Lens	7. Finish	8. Options