

A & M Sculptured Lighting

1781 N. Indiana Street - Los Angeles, CA., 90063 (323)263-2221 Fax (323)263-2226



LA

S E R I E S

The LA series is the classic, modern-style luminaire. The unit's high performance output is ideal for parking lots. It can also serve your street lighting applications. This fixture is supplied with cut-off reflector system (when using the convex lens) and full cut-off when using the flat lens to meet the dark sky requirements.

ARCHITECTURAL



The housing is made of .080" minimum wall thickness extruded aluminum. The arm is .125" wall thickness extruded aluminum and shall attach to the fixture with two thru bolts.

The lamp is properly positioned to provide the appropriate IES light pattern. The reflector is constructed of segmented specular aluminum available on Type 1, 2, 3, FT and 5 light distributions.

All electrical components are UL listed with electromagnetic high power factor ballast for HID lamps in voltages of 120 to 480 or an electronic ballast for compact fluorescent lamp in 120 or 277 volts. Ballasts are mounted on a removable tray for easy maintenance.



A & M Sculptured Metals

UL LISTED FOR WET LOCATIONS

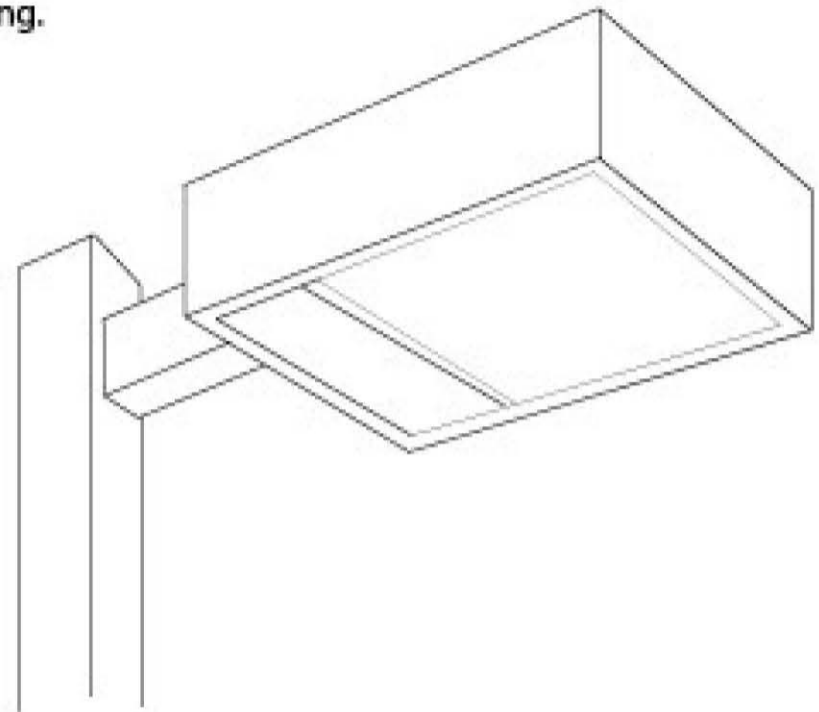
www.amsculptedmetals.com

A & M Sculptured Lighting

1781 N. Indiana Street Los Angeles, CA, 90063
 Tel. (323)263-2221 Fax. (323)263-2226

LA
 SERIES

- Housing:** .080 extruded welded aluminum internally sealed for weather proofing. Closed cell neoprene foam gasket is applied between lens frame and housing.
- Lens:** Flat tempered glass or convex tempered glass. Sealed into an extruded aluminum frame.
- Electrical:** All electrical components are UL approved.
- Ballast:** High power factor - 20°C starting temperature. The ballast is removable as a unit for easy maintenance.
- Reflector:** Segmented specular Alzak, available on type 1, 2, 3, FT and 5 light distribution.
- Arms:** Extruded aluminum.
- Finish:** Polyester powder fuse coating is standard; other finishes are available upon request.



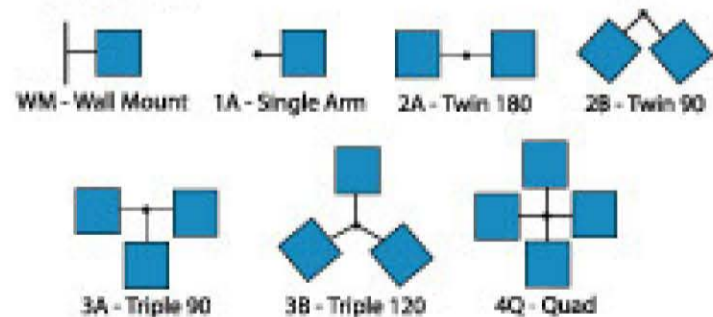
Ordering Information:

1. Model Number
2. Wattage
3. Lamp Type
 - H - Metal Halide
 - S - High Pressure Sodium
 - PS - Pulse Start
4. Voltage
 - 120, 208, 240, 277, 480 and
 - MT (Multi Tap) - 120, 208, 240, 277
5. Light Distribution
 - 1, 2, 3, FT, and 5
6. Lens
 - FG - Flat Glass
 - CG - Convex Glass
7. Mounting
8. Finish
 - BK - Black
 - BZ - Bronze
 - GR - Green
 - VG - Verde Green
 - (Other colors upon request)
9. Options
 - RPC - Receptacle and Photo Control
 - HS - House Shield
 - FS - Fuse
 - PC - Photo Cell

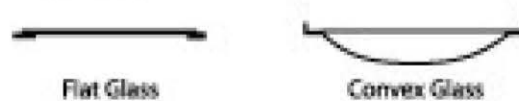
MOD #	Wattage	A	B	C	EPA
LAS	400 MAX	24"	6"	16"	1.14
LAL	1000 MAX	30"	10"	22"	3.07



Mounting



Lenses



1. Mod. #	2. Wattage 3. Lamp Type	4. Voltage	5. Light Dist.	6. Lens	7. Mounting	8. Finish	9. Options